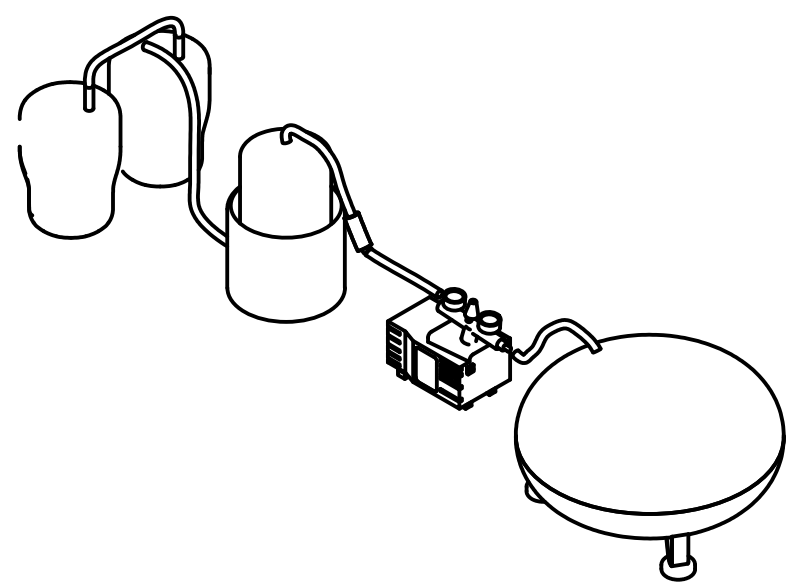
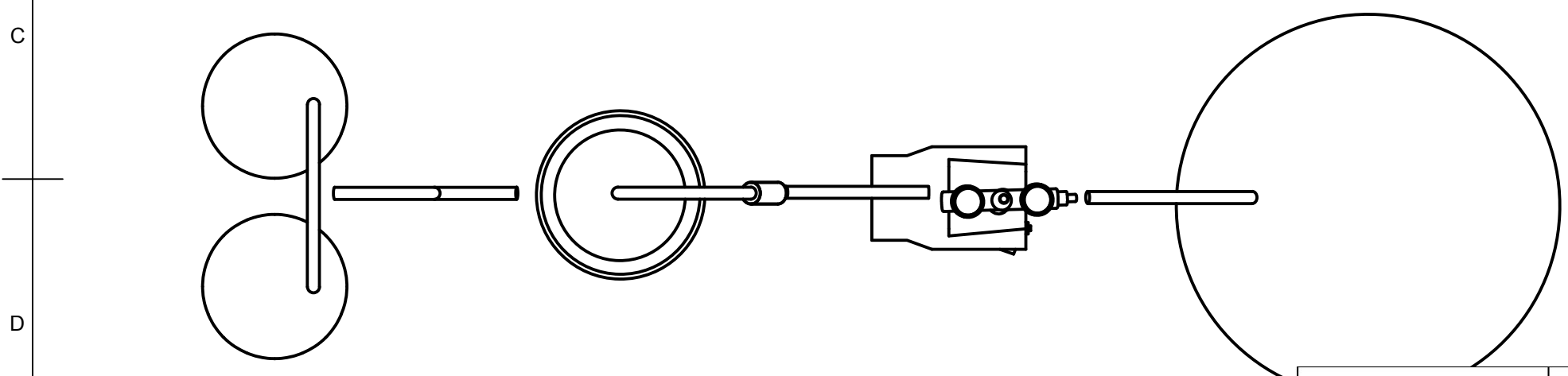
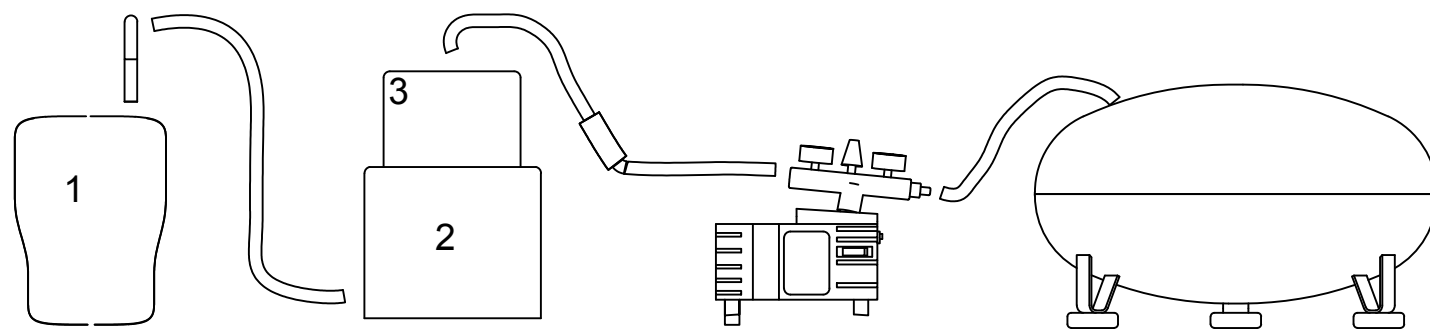


Scale: (paper:real)
5:2inches



Materials			
(3) 14 Gallon Container	(1) Manifold	(9) 90° PVC Junction	(28 gallons) Cow fecal matter
(1) Propane tank	(1) Garbage Can	PVC (½") 12ft	Rubber tubing 1 ft
(1) Air Compressor	PVC Piping w/ PVC cement	(3in) of 1" PVC	(6) Rubber Gaskets (½")
Steel Wool (3 inches compressed)	Epoxy	(2) ½" to 1" PVC Connector	1-way valve (½")
Dept.	Technical reference	Created by James Schmidt 4/24/19	Approved by
		Document type	Document status
		Title Final	DWG No.
Rev.	Date of issue	Sheet 1/2	

1. Fill 14-gallon buckets with manure bucket 1
2. Drill ½” holes in tops of buckets 1
3. Apply rubber gaskets to holes
4. Attach PVC pipes to look like the picture
5. Connect 1-way valve entering bucket 2
6. Run PVC through ½” hole at bottom of bucket 2
7. Fill bucket 2 with water
8. Place a bucket 3 upside down in the water with no air inside
9. Drill ½” hole in top of bucket 3 with rubber gasket
10. Run PVC out through the top of bucket 3
11. Connect ½” PVC to 1” PVC
12. Fill 1” PVC with steel wool and connect back to ½” PVC
13. Lead the rest of the PVC to air compressor
14. Attach compressor to propane tank
- 15) Add epoxy to places that need extra sealant



Dept.	Technical reference	Created by James Schmidt	4/24/19	Approved by
		Document type	Document status	
		Title Final	DWG No.	
Rev.	Date of issue	Sheet		2/2